

# Illustrated Report For Radiant

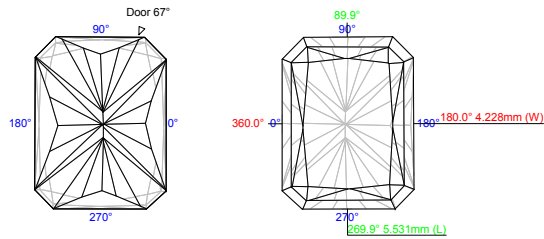
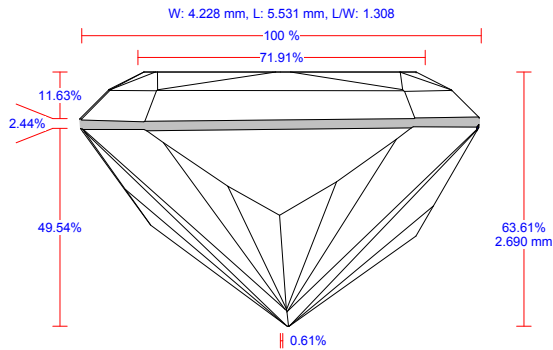
Polished Radiant

14.03.2009

Model Simple  
 Expert name Makoed A.G.  
 Real weight, ct  
 Calculated weight, ct 0.52, 0.5196  
 Spread 0.05 ct, 8.22 %  
 Extra Facet / Nat Yes (1)

Width	Length	Ratio (L/W)	Corner Ratio	Diameter Minimum	Diameter Maximum
4.228 mm	5.531 mm	1.308	1.009	4.228 mm	6.253 mm

Total height	Crown height: Side	Pavilion height: Side	Table: Side	Girdle: Side	Culet
2.690 mm 63.61 %	0.492 mm	2.094 mm	3.534 mm	0.103 mm	0.026 mm

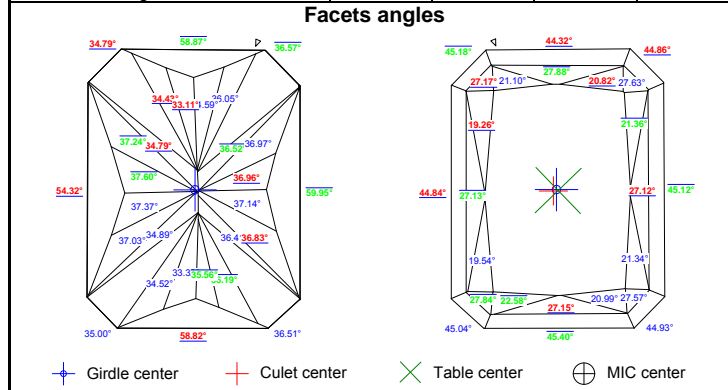


Appraiser title  
 Overall cut quality  
 Symmetry appraiser title  
 Overall symmetry quality

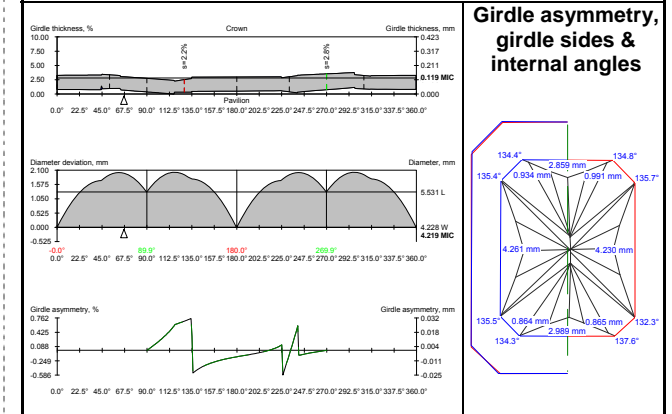
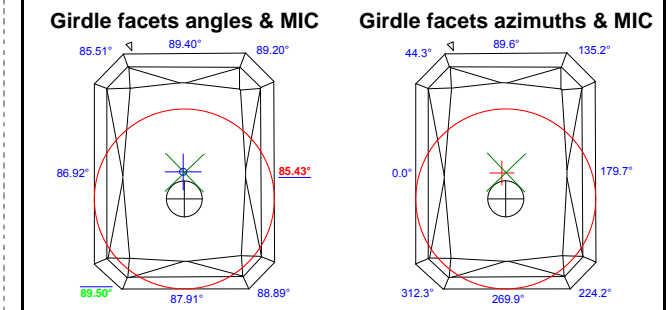
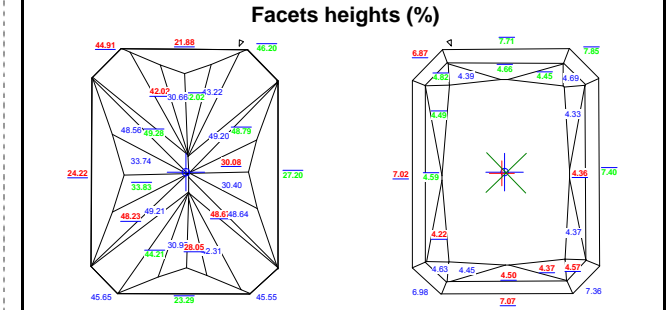
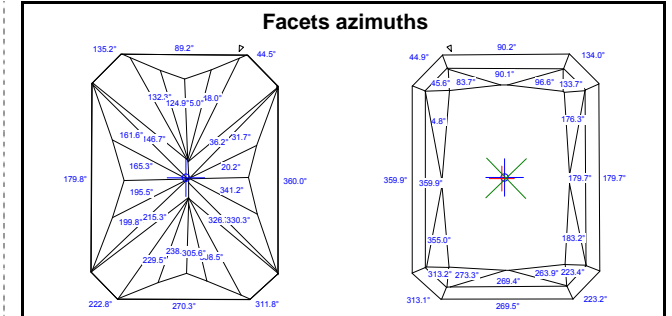
AGS\_2005  
 N/A  
 Internal  
 PR

Color	Clarity	Polish	Fluorescence

Parameters	Avg	Min	Max	Dev
Crown height: Side, %	11.63	11.19	12.20	1.01
Crown height: Joint, %	N/A	N/A	N/A	N/A
Pavilion height: Side, %	49.54	49.24	49.86	0.62
Pavilion height: Joint, %	N/A	N/A	N/A	N/A
Table: Side, %	71.91	68.12	75.70	7.58
Table: Corner w.r.t. Corner, %	76.69	76.41	76.97	0.56
Table: Corner w.r.t. Width, %	108.34	108.23	108.45	0.22
Diameter: Corner, %	141.27	140.62	141.93	1.30
Girdle thickness: Side, %	2.44	2.17	2.76	0.59
Girdle thickness: Joint, %	N/A	N/A	N/A	N/A
Corner angle width, %	15.17	14.05	16.30	2.25
Corner angle length, %	15.05	13.62	16.66	3.04
Culet, %	0.61	0.33	0.82	0.49
Crown 1 Main Width height, %	7.21	7.02	7.40	0.39
Crown 1 Main Length height, %	7.39	7.07	7.71	0.63
Crown 1 Corner height, %	7.26	6.87	7.85	0.98
Crown 2 Main Width height, %	4.48	4.36	4.59	0.22
Crown 2 Main Length height, %	4.58	4.50	4.66	0.16
Crown 2 Corner height, %	4.68	4.57	4.82	0.25
Pavilion 1 Main Width height, %	25.71	24.22	27.20	2.98
Pavilion 1 Main Length height, %	22.58	21.88	23.29	1.41
Pavilion 1 Corner height, %	45.57	44.91	46.20	1.29
Pavilion Halves Width 1 height, %	49.09	48.67	49.28	0.61
Crown 1 Main Width angle, °	44.98	44.84	45.12	0.28
Crown 1 Main Length angle, °	44.86	44.32	45.40	1.07
Crown 1 Corner angle, °	45.00	44.86	45.18	0.32
Crown 2 Main Width angle, °	27.13	27.12	27.13	0.01
Crown 2 Main Length angle, °	27.51	27.15	27.88	0.72
Crown 2 Corner angle, °	27.55	27.17	27.84	0.67
Crown Star Width height, %	4.35	4.22	4.49	0.27
Crown Star Length height, %	4.41	4.37	4.45	0.08
Crown Star Width angle, °	20.38	19.26	21.36	2.10
Crown Star Length angle, °	21.37	20.82	22.58	1.76
Pavilion 1 Main Width angle, °	57.14	54.32	59.95	5.63
Pavilion 1 Main Length angle, °	58.85	58.82	58.87	0.05
Pavilion 1 Corner angle, °	35.72	34.79	36.57	1.79
Pavilion Halves Width 1 angle, °	35.65	34.79	36.52	1.73
Girdle facet angle, °	87.85	85.43	89.50	4.06



Girdle-Culet offset by table axis	1.60 ± 0.29, %	0.068 ± 0.012, mm
Girdle-Table offset by table axis	0.90 ± 0.26, %	0.038 ± 0.011, mm
Table-Culet offset by table axis	2.29 ± 0.31, %	0.097 ± 0.013, mm
Girdle to table-culet line offset	0.57 %, 0.024 mm	



Width-wise culet shift ratio (by width)	2.207 mm, 52.21 %	2.021 mm, 47.79 %
Length-wise culet shift ratio (by width)	2.721 mm, 64.36 %	2.815 mm, 66.57 %
Length-wise culet shift ratio (by length)	2.721 mm, 49.19 %	2.815 mm, 50.89 %